

Revised Starting Serial # 051210058

PARTS LIST MANUAL

Model TG-10



10" Turbo Grinder



100 Thomas Johnson Drive, Frederick, MD 21702-4600 USA
Phone (301) 663-1600 • 1-800-638-3326
Fax (301) 663-1607 • 1-800-447-3326
Website: www.edcoinc.com • Email: sales@edcoinc.com

Printed in USA
©2005

READ AND UNDERSTAND THE OPERATORS INSTRUCTION MANUAL THOROUGHLY BEFORE ATTEMPTING TO OPERATE THIS EQUIPMENT. Death or serious injury could occur if this machine is used improperly.



SAFETY MESSAGES



The safety instructions are preceded by a graphic alert message of DANGER, WARNING, or CAUTION.



Indicates an imminent hazard which, if not avoided, will result in death or serious injury.



Indicates an imminent hazard which, if not avoided, can result in death or serious injury.



Indicates hazards which, if not avoided, could result in serious injury and or damage to the equipment.

GASOLINE Powered Equipment



- Do not operate gasoline powered equipment without adequate ventilation. Carbon monoxide is an invisible, odorless gas that can kill.

ELECTRICAL Powered Equipment



- ELECTRICAL HAZARD** - Be sure equipment is properly grounded. Failure to comply could kill or result in serious injury.



The engine exhaust from this product contains chemicals known to the State of California to cause cancer, birth defects or other reproductive harm.

GENERAL INSTRUCTIONS



- You must read and understand the operators instruction manual and all other manuals associated with this machine. For your safety and the safety of others around you, it is extremely important to fully understand how to operate this machine in the way it was intended. Different model machines or older/newer versions of the same model may have different parts and controls that you need to understand. If instructions are not readable or available DO NOT USE this machine and contact the factory for a replacement Manual.
- You must be able to physically handle the bulk weight and power of this machine. If not properly controlled this machine can cause death or serious injury.
- Do not operate this machine in an impaired mental state. You must be able to exercise good judgement and reactions to maintain a safe working environment.
- This is a "one person" machine which means only one operator can be operating the machine at any one time. For the safety of others, maintain a safe operating distance to other personnel. Your work area should be defined and appropriately marked so bystanders and coworkers do not stand or walk near this machine and end up seriously injured by flying debris or exposing them to harmful noise or dust.
- This equipment is for Commercial use. Although this is a "one person" machine your work team should understand how to shut this machine off and quickly get medical help if an accident strikes the operator.
- Keep all guards in place during operation. The guards are to provide protection from inadvertent contact with dangerous moving parts, pinch points, or hot surfaces.
- Wear appropriate Personal Protective Equipment (PPE) including safety glasses, safety boots, work gloves, respiratory protection, hearing protection, and head protection. Do not wear loose clothing that can get tangled in moving parts. Failure to do so could result in dismemberment or death. **Wear an approved respirator when removing hazardous materials or when grinding/cutting dry materials. Some dust particles such as concrete dust can contain silicate particles which can cause silicosis (a very serious lung disease). Contact NIOSH or OSHA for further details. When wet grinding/cutting, avoid contact with the concrete/asphalt slurry which can cause serious skin irritations.**
- You must maintain this machine per the maintenance schedule in the operator manual. Remember before adjusting, servicing, or fueling this machine, disconnect the source of power to the machine by disconnecting the spark plug (Gas models), or by unplugging the electrical power cord (electric models) or air hose (Pneumatic models) AT THE MACHINE so you can assure yourself it remains unplugged while you are working on it. Do not modify this machine. Use only genuine EDCO parts and accessories. Repairs and service should be performed by approved EDCO dealers or authorized technicians.
- You should look carefully around the area before you begin work so you can identify potential hazards such as deck inserts, pipes, columns, openings, electrical cords or outlets, or any other objects protruding from the slab surface.
- This machine has no brain so you must use your own. There is no substitute for safety. The safety decals on the machine are to serve as a reminder for information you must already know before you begin using this machine. Take a moment to reread the safety decals each time you use the machine. If your machine is missing any decals, contact the factory for a replacement (EDCO 1-800-638-3326).

PARTS LIST MANUAL

EDCO MODEL TG-10

<u>Section</u>	<u>Page Number</u>
Safety Messages and General Instructions	2
How To Order Replacement Parts	3
Illustration 1: Main Assembly Grouping	4
Parts Listing - Illustration 1 : Main Assembly Grouping	5
Illustration 2: Rigid Head Assembly	6
Parts Listing - Illustration 2: Rigid Head Assembly	6
Illustration 3: Flex Head Assembly	7
Parts Listing - Illustration 3 : Flex Head Assembly	7
Illustration 4: Engine Grouping	8
Parts Listing - Illustration 4 : Engine Grouping	9
Illustration 5: Propane Grouping	10
Parts Listing - Illustration 5 : Propane Grouping	11
Illustration 6: Motor Grouping	12
Parts Listing - Illustration 6 : Motor Grouping	13
Illustration 7: Optional Ball Caster Depth Stop Kit & Weight	14
Parts Listing - Illustration 7 : Optional Ball Caster Depth Stop Kit & Weight ...	15
Limited Equipment Warranty	back cover

10" TURBO GRINDERS

*PART #	MODEL	POWER OPTION
56600	TG10-11H	11HP HONDA GASOLINE
56700	TG10-11P	11HP HONDA PROPANE
56800-230	TG10-5B/230/3	5HP BALDOR, 230 VOLT, 3 PHASE
56800-460	TG10-5B/460/3	5HP BALDOR, 460 VOLT, 3 PHASE
56900	TG10-5B/230/1	5HP BALDOR, 230 VOLT, 1 PHASE

*** ADD -F SUFFIX TO PART # FOR TURBO GRINDER w/ FLEXIBLE STYLE HEAD**

HOW TO ORDER REPLACEMENT PARTS

- To insure product safety and reliability, always use genuine EDCO replacement parts when making repairs to the equipment.
- When calling for parts, specify the MODEL and SERIAL NUMBER of the machine which can be found on the NAME PLATE. Keep that information in the space provided. In addition to this information, give part number, description and quantity as listed on the parts list to your parts representative.
- Please note: Due to improvements and changes in the equipment, the illustrations shown

FILL IN INFORMATION BELOW

Date of Purchase _____
 Name of Machine _____
 Model # _____
 Serial # _____
 Belt Size(s) _____

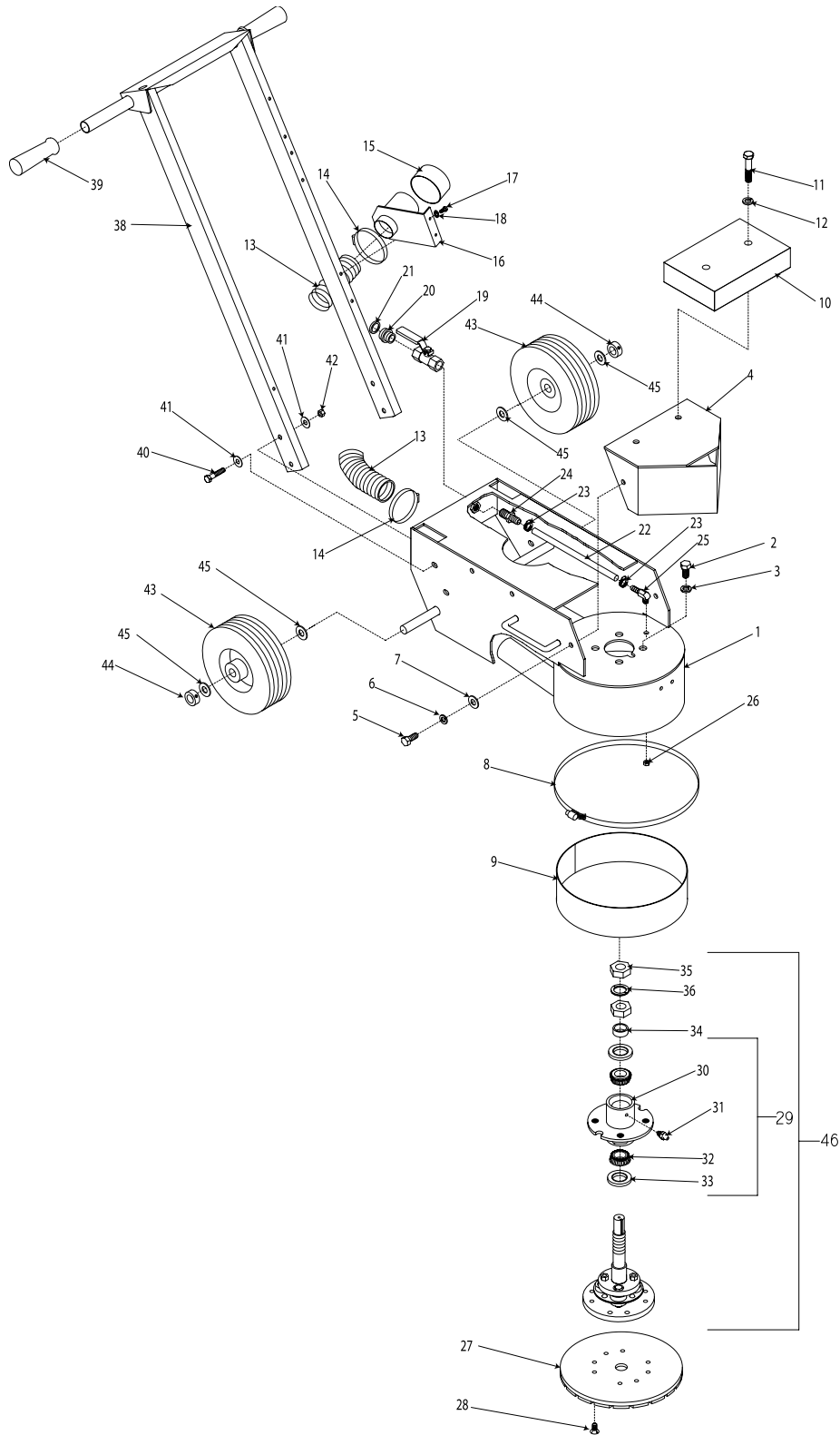
Toll Free: 1-800-638-3326
 FAX: 1-800-447-3326
 email: sales@edcoinc.com
 www.edcoinc.com



100 Thomas Johnson Drive, Frederick, MD 21702-4600 USA
 Phone (301) 663-1600 • 1-800-638-3326
 Fax (301) 663-1607 • 1-800-447-3326
 Website: www.edcoinc.com • Email: sales@edcoinc.com

Printed in USA
 ©2005

ILLUSTRATION 1: MAIN ASSEMBLY GROUPING



PARTS LISTING - ILLUSTRATION 1: MAIN ASSEMBLY GROUPING

ITEM#	PART#	DESCRIPTION	QTY.	ITEM#	PART#	DESCRIPTION	QTY.
1	86336	MAIN FRAME	1	24	10657	BARB. PUSH-ON 3/8 HOSE x 1/4 MPT	1
2	10321	SCREW, CAP 1/2-20 x 1-1/4	4	25	11562	BARB, ELBOW 90°, 3/8 HOSE x 1/8 MPT	1
3	10045	WASHER, LOCK 1/2	4	26	10864	NUT 1/8-27 PIPE THREAD	1
4	86303	HOOD	1	27	19166	10" DIAMOND DISC -MULTI-PURPOSE (REFER TO ACCESSORY PRICE LIST FOR OTHER STYLE DISCS)	1
5	10907	SCREW, CAP 3/8-16 x 3/4	2	28	86108	SCREW, FLAT HEAD SKT. 3/8-24 x 3/4	4
6	10811	WASHER, LOCK 3/8	2	29	86320A	HUB ASSEMBLY w/ BRGS. & SEALS (ITEMS 30-33)	1
7	10025	WASHER, FLAT 3/8	2	30	86320HG	HUB ONLY w/ RACES & GREASE FITTING HOLE	1
8	86338	CLAMP, HOSE , SAE #188, 12-1/4	1	86339		BEARING CUP/RACE ONLY (2 REQ'D.)	1
9	86337	RUBBER, SKIRT 2" H x 35 1/8" L	1	31	10808	FITTING, GREASE 1/4-28 STRAIGHT	1
10	86345	WEIGHT BLOCK, 30 LB. (ELEC. ONLY)	1	32	86321	BEARING, TAPERED ROLLER 1" ID CONE	2
11	10323	SCREW, CAP 1/2-13 x 2-1/2 (ELEC. ONLY)	2	33	86322	SEAL, BEARING HUB 1-1/4	2
12	10045	WASHER, LOCK 1/2 (ELEC. ONLY)	2	34	86319	SPACER, HUB BEARING	2
13	86328	HOSE, FLEXIBLE, 2" ID x 32"	1	35	50019	NUT, JAM 1-14	2
14	10745	CLAMP, HOSE, SAE #32, ADJ. TO 2-1/4"	2	36	86323	WASHER, NORD-LOCK 1" (PAIR)	1
15	64030	PLUG, CAP 3"	1	37		HEAD ASSEMBLY (SEE ILLUSTRATION #2 & 3)	1
16	86347	BRACKET, MULTI-VAC PORT	1	38	86304	HANDLE BAR	1
17	10846	SCREW, CAP STSHW 1/4-20 x 1/2	2	39	10608	GRIP, HAND 1" MODEL AT	2
18	10831	WASHER, LOCK, INT. TOOTH #10	2	40	10029	SCREW, CAP 3/8-24 x 1-3/4	4
19	10711	VALVE, BALL 1/2 FPT	1	41	10025	WASHER, FLAT 3/8	8
20	80021	CONN., SWIVEL FEM. 3/4 HOSE x 1/2 MPT (INCL. #21)	1	42	10004	NUT, LOCK 3/8-24	4
21	10070	WASHER, HOSE (INCL. w/ #20)	1	43	79013	WHEEL 8 x 2-1/2 x 3/4" BRG.	2
22	86329	HOSE 3/8 ID x 19-1/4	1	44	10428	COLLAR, LOCKING 3/4" ID	2
23	50069	CLAMP, HOSE, SAE #6, ADJ. TO 13/16	2	45	10009	WASHER, FLAT 3/4	4
				46		HEAD ASSY. w/ BRG. (ITEMS 29-37)	1
				86333		RIGID STYLE	
				86326		FLEXIBLE STYLE	

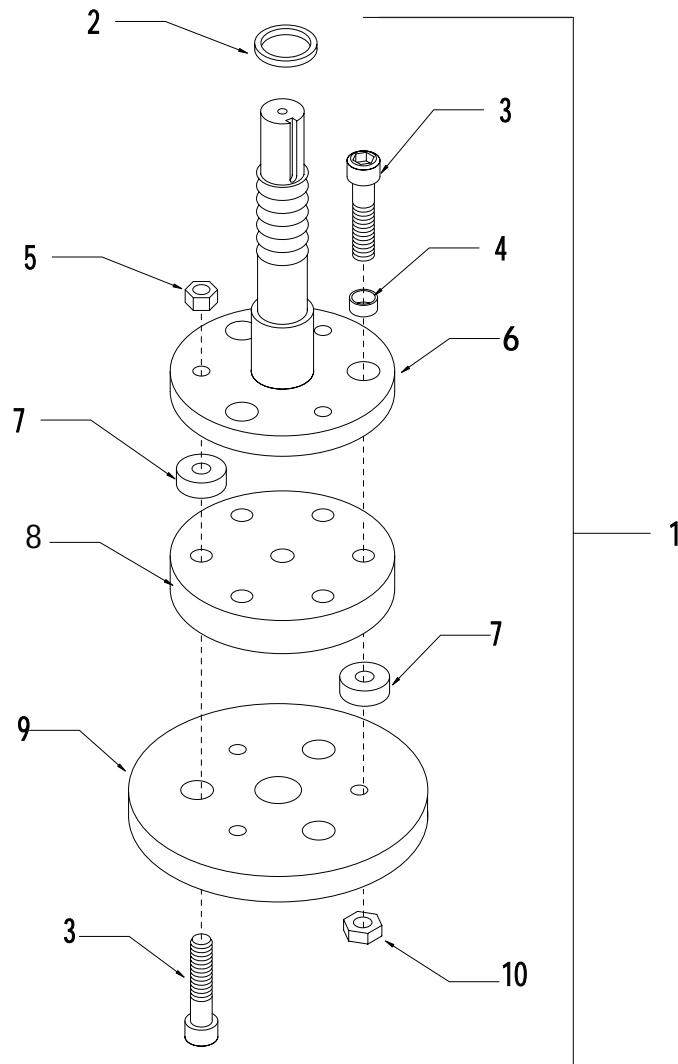


100 Thomas Johnson Drive, Frederick, MD 21702-4600 USA
 Phone (301) 663-1600 • 1-800-638-3326
 Fax (301) 663-1607 • 1-800-447-3326
 Website: www.edcoinc.com • Email: sales@edcoinc.com

Printed in USA
 ©2005

ILLUSTRATION 2: RIGID HEAD ASSEMBLY

STANDARD

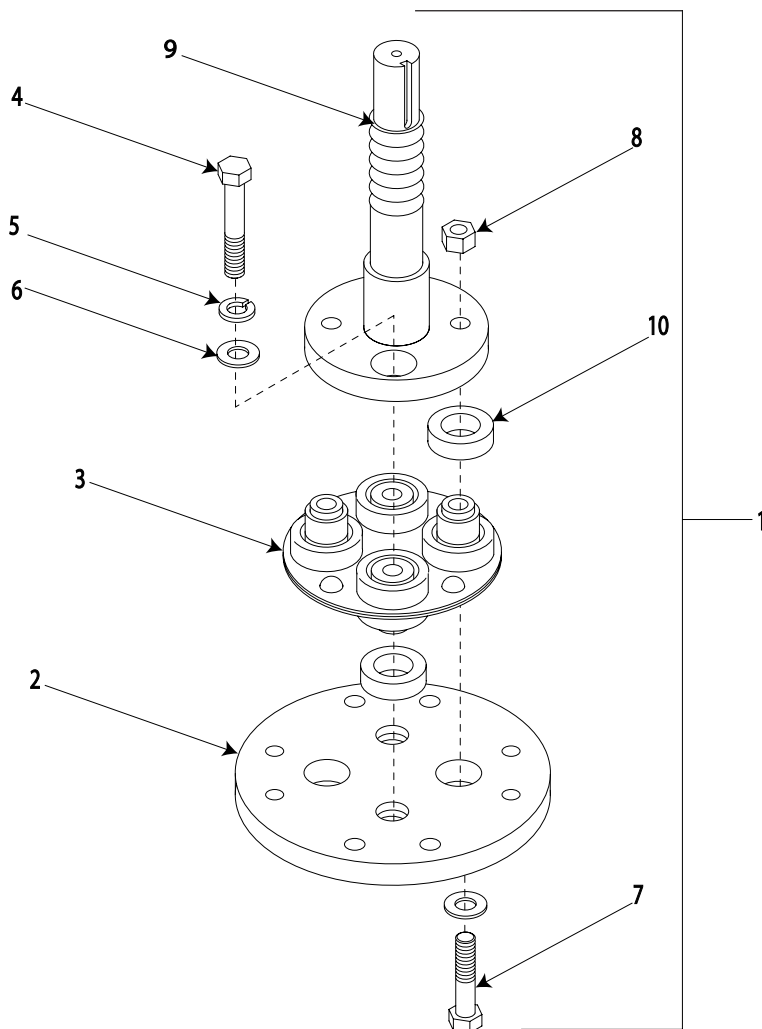


ITEM #	PART #	DESCRIPTION	QTY.
1	86333LB	HEAD ASSY. LESS BRG., RIGID (INCLUDES ITEMS # 2-10)	1
2	68017	SPACER STEEL, 1-1/4" OD x 1" ID x 5/32" THK.	1
3	86111	SCREW, SKT. HD. CAP 7/16-20 x 2 (GRD. 8)	6
4	86112	SPACER, STEEL 5/8" OD x 7/16" ID x 1/4" THK.	3
5	10481	NUT, 7/16-20 (NOTE: USE RED LOCTITE)	3
6	86334	FLANGE w/ SHAFT, RIGID HEAD	1
7	40329	BUSHING, RUBBER 1" OD x 3/8" ID x 3/8" THK.	6
8	86132S	SPACER, DIAMOND HEAD, STEEL	1
9	86133	DIAMOND HEAD MOUNTING DISC, RIGID HEAD	1
10	11641	NUT, JAM 7/16-20	3



ILLUSTRATION 3: FLEX HEAD ASSEMBLY

OPTIONAL



ITEM #	PART #	DESCRIPTION	QTY.
1	86326LB	HEAD ASSY. LESS BRG., FLEX (INCLUDES ITEMS # 2-10)	
2	86309	MOUNTING DISC, FLEX HEAD	1
3	86017	COUPLING, MORFLEX 402	1
4	10030	SCREW, CAP 3/8-24 x 2 (USE RED LOCTITE)	2
5	10811	WASHER, LOCK 3/8	2
6	10025	WASHER, FLAT 3/8	4
7	10336	SCREW, CAP 3/8-24 x 2-1/4	2
8	10004	NUT, LOCK 3/8-24	2
9	86308	FLANGE w/ SHAFT, FLEX HEAD	1
10	86343	BUSHING, RUBBER 1-1/4 x 3/4 x 3/8	4

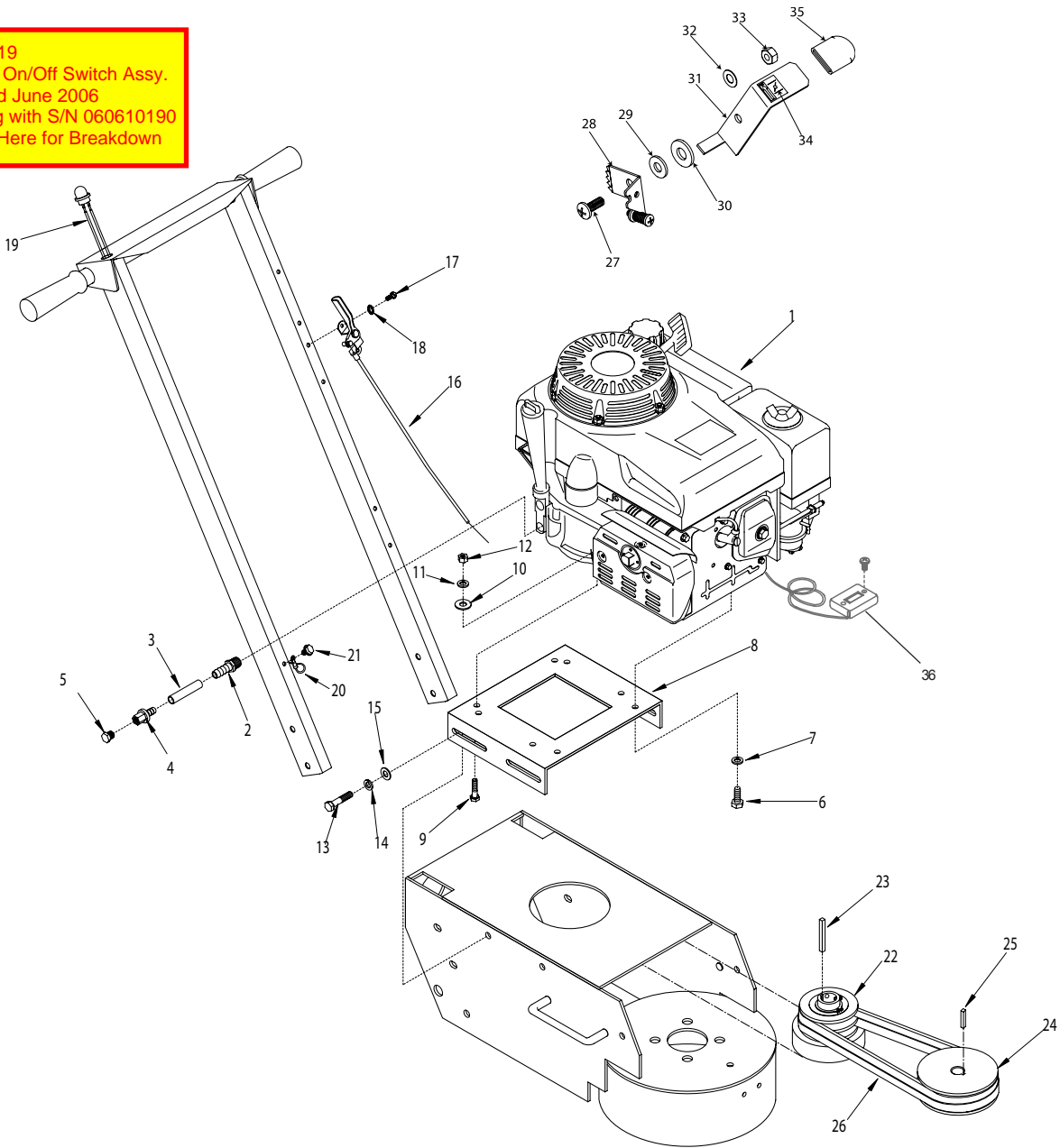


100 Thomas Johnson Drive, Frederick, MD 21702-4600 USA
 Phone (301) 663-1600 • 1-800-638-3326
 Fax (301) 663-1607 • 1-800-447-3326
 Website: www.edcoinc.com • Email: sales@edcoinc.com

Printed in USA
 ©2005

ILLUSTRATION 4 : ENGINE GROUPING

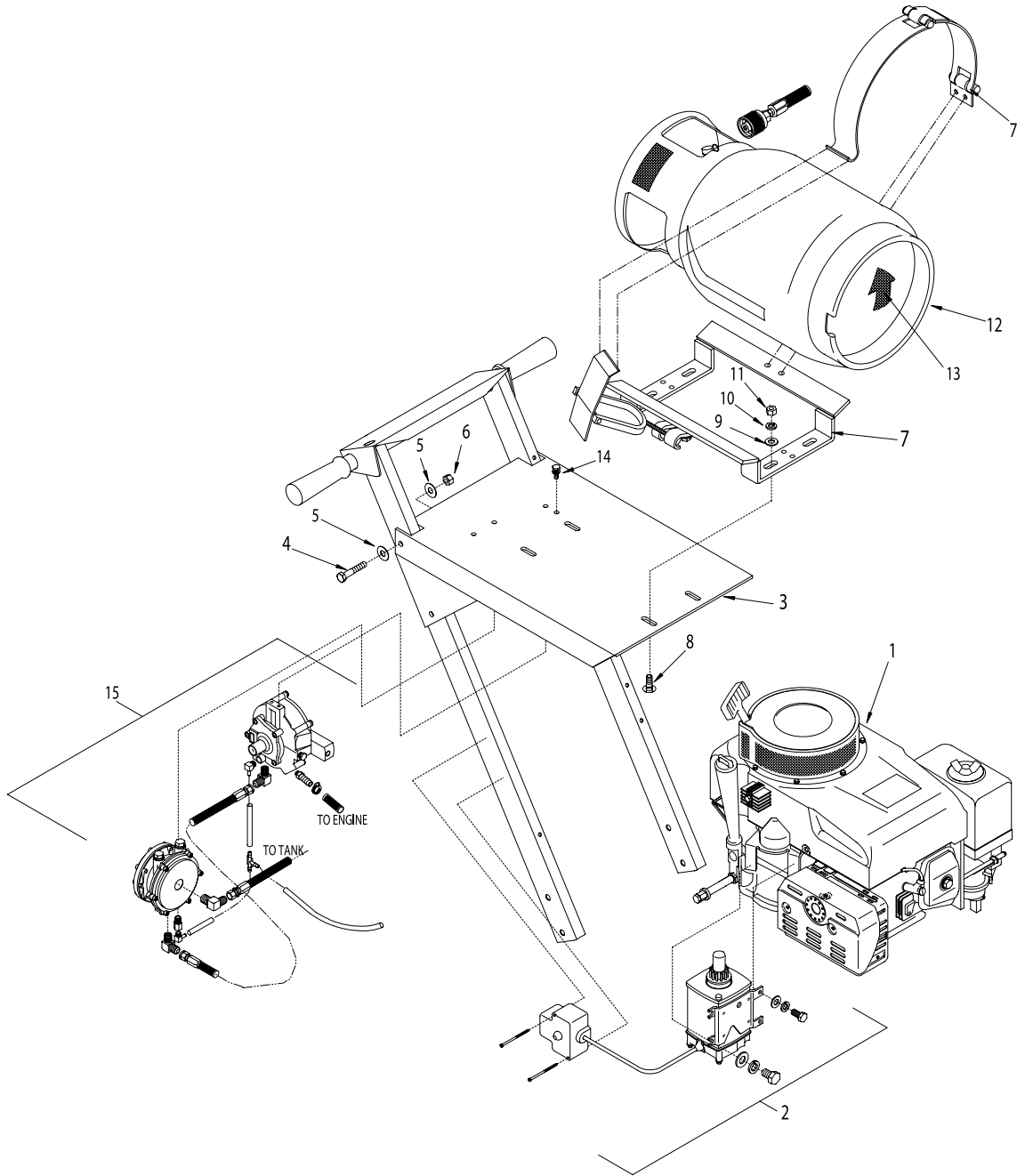
Item # 19
Engine On/Off Switch Assy.
Revised June 2006
Starting with S/N 060610190
Select Here for Breakdown



PARTS LISTING - ILLUSTRATION 4 : ENGINE GROUPING			
ITEM #	PART #	DESCRIPTION	QTY.
1	76004	ENGINE, HONDA 11HP GXV340 K2-DX3	1
2	11543	BARB, PUSH-ON 3/8 HOSE x 20mm x 1.50	1
3	56116	HOSE, PUSH-ON 3/8 ID x 3"L	1
4	11544	BARB, PUSH-ON 3/8 HOSE x 1/4 FPT	1
5	10776	PIPE PLUG 1/4 NPT (BRASS)	1
6	10048	SCREW, CAP 5/16-24 x 3/4	2
7	10801	WASHER, LOCK 5/16	2
8	86311	MOUNT, ENGINE/MOTOR	1
9	10342	SCREW,CAP 5/16-18 x 1-1/2	2
10	10213	WASHER, FLAT 5/16	2
11	10801	WASHER, LOCK 5/16	2
12	10054	NUT 5/16-18	2
13	10021	SCREW, CAP 3/8-24 x 1	4
14	10811	WASHER, LOCK 3/8	4
15	10025	WASHER, FLAT 3/8	4
16	40388	THROTTLE CABLE, LEVER-TYPE, 24" (TRIM 17")	1
17	10877	SCREW, CAP STSHW 10-24 x 1/2	2
18	10831	WASHER, LOCK, INT. TOOTH # 10	1
19	50010	SWITCH KIT, STOP BUTTON, 7/8" HOLE	1
20	50084	TERM. RING #10, 16-14 GA. INSULATED	1
21	10877	SCREW, CAP STSHW 10-24 x 1/2	1
22	76024	CLUTCH, CENTRIFUGAL 3.5 x 2GR. x 1	1
23	10071	KEY 1/4 SQ. x 2-1/2	1
24	86318	SHEAVE 5"OD x 2GR.B x 7/8 BORE	1
25	50523	KEY 3/16 SQ. x 1-1/8	1
26	10035	BELT 5L-330 (REFER TO SERIAL NO. PLATE)	2
27	15185	SCREW, MACHINE M6 x 16mm PHILLIP HD	1
28	-----	BREAKAWAY VIEW of ENGINE THROTTLE BRACKET (SHOWN FOR MOUNTING DETAIL)	
29	10602	WASHER, FLAT 1/4 SAE	1
30	15187	WASHER, FIBER .75 x .25 x .093	1
31	15183	LEVER, CHOKE CONTROL	1
32	15186	WASHER, BELLEVILLE .500 x .255 x .018	1
33	28026	NUT, HEX NYLON LOCK M6 x 1mm	1
34	91301	DECAL, CHOKE 5/8 x 5/8	1
35	15184	CAP, FLAT RED .062 x .75 x 1	1
36	15138	HOUR METER, INDUCTIVE (OPTIONAL)	1



ILLUSTRATION 5 : PROPANE GROUPING

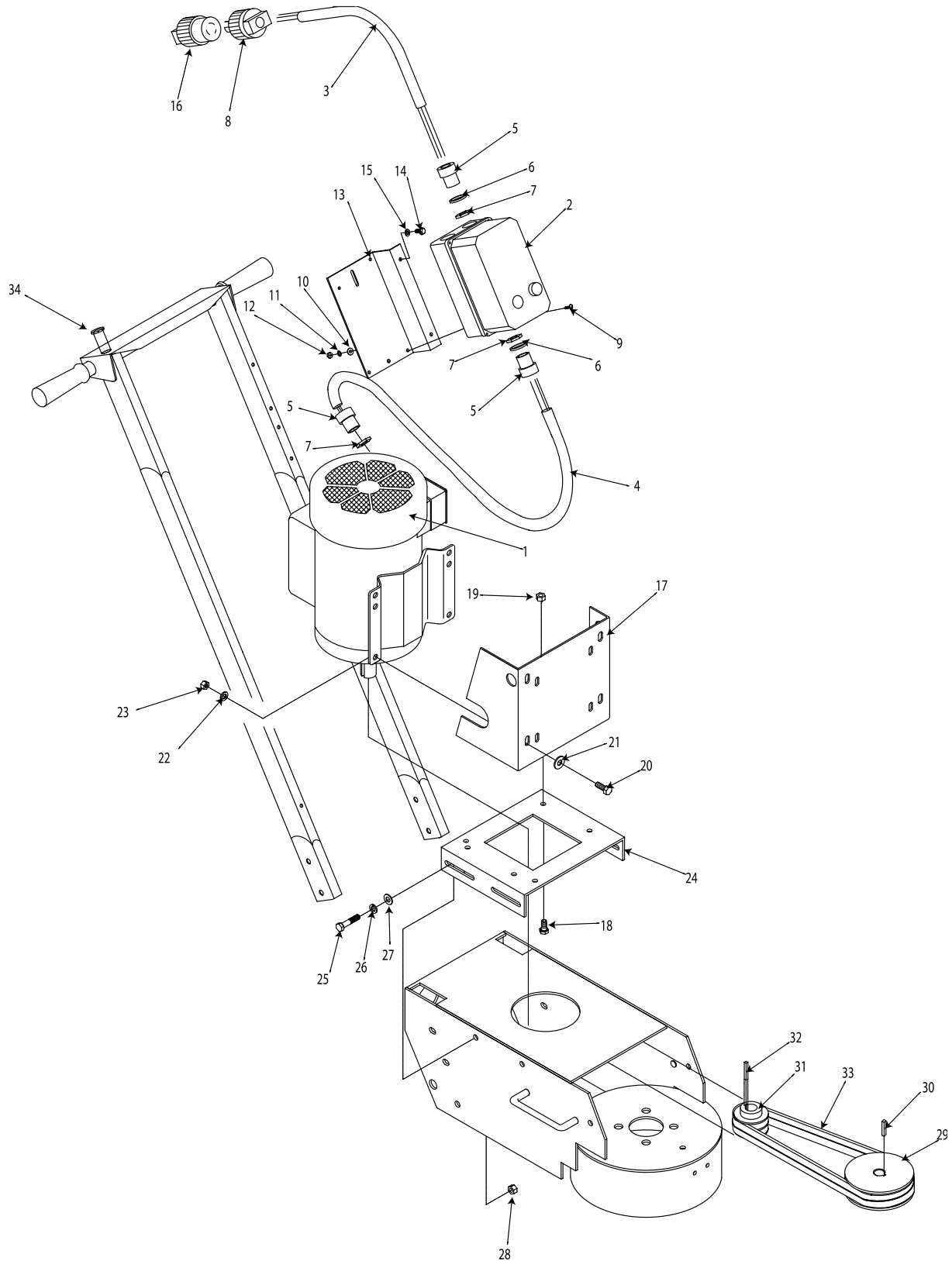


PARTS LISTING - ILLUSTRATION 5 : PROPANE GROUPING

ITEM #	PART #	DESCRIPTION	QTY.
1	15012	ENGINE, HONDA 11HP GXV-340A2-DP23 PROPANE	1
2	15126	STARTER KIT, ELECTRIC 120 VOLT AC (INCLUDES EXTENSION CORD - NOT SHOWN)	1
3	86327	MOUNT, PROPANE TANK, TG-10	1
4	10029	SCREW, CAP 3/8-24 x 1-3/4	4
5	10025	WASHER, FLAT 3/8	8
6	10004	NUT, LOCK 3/8-24	4
7	77061	PROPANE TANK MOUNT COMPLETE	1
8	10802	BOLT, CARRIAGE 3/8-16 x 1	4
9	10025	WASHER, FLAT 3/8	4
10	10811	WASHER, LOCK 3/8	4
11	10404	NUT 3/8-16	4
12	15130	PROPANE TANK 20LB HORZ. w/ ACME VALVE	1
13	91122	DECAL, ARROW, RED, 3 x 3	1
14		SCREW w/ WASHER, CAP 1/4-20 x 5/8 (C/W VAPOR KIT)	4
15	15102	VAPOR KIT for HONDA GXV340A2-DP23	1



ILLUSTRATION 6 : ELECTRIC MOTOR GROUPING

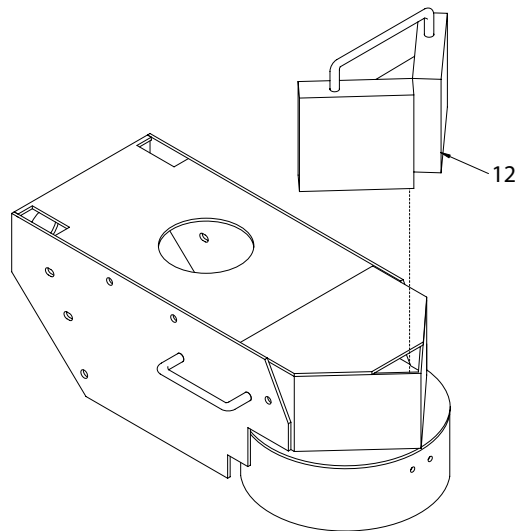
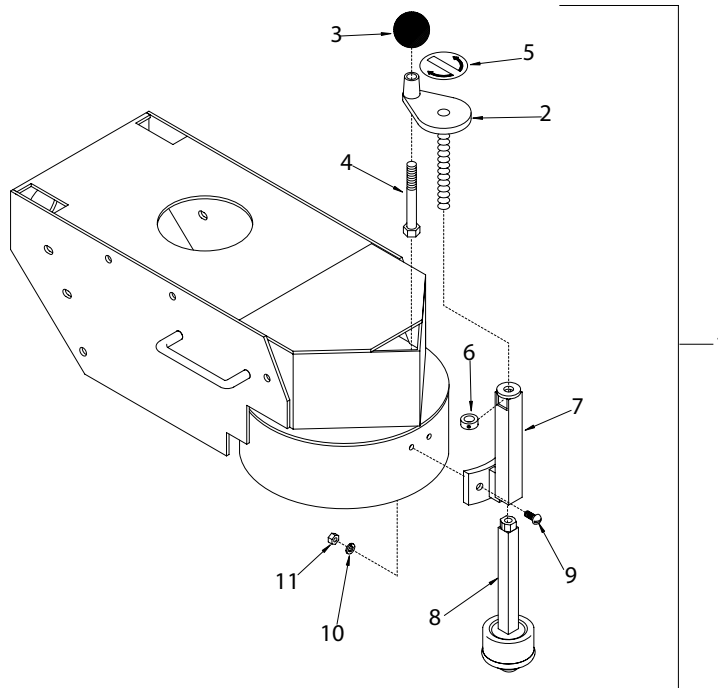


PARTS LISTING - ILLUSTRATION 6 : ELECTRIC MOTOR GROUPING			
ITEM #	PART #	DESCRIPTION	QTY.
1		MOTOR, BALDOR	1
	81026	5.0 HP - 1 PHASE - 60 Hz - 230V 3450 RPM	
	81022	5.0 HP - 3 PHASE - 60Hz - 230V/460V 3450 RPM	
2		STARTER, LOVATO	1
	16410	1 PH - 60Hz - 230V (11-M1-BRF-P30-26-23060)	
	16405	3 PH - 60Hz - 230V (11-M1-BRF-P23-23-23060)	
	16406	3 PH - 60Hz - 460V (11-M1-BRF-P14-10-46060)	
3		WIRE HARNESS, STARTER / PLUG	1
	86026	10/3" x 24" LOA (1 PHASE UNITS)	
	86022	12/4" x 24" LOA (3 PHASE UNITS)	
4		WIRE HARNESS, STARTER / MOTOR	1
	86331	10/3" x 36" LOA (1 PHASE UNITS)	
	86332	12/4" x 36" LOA (3 PHASE UNITS)	
5	10605	CONNECTOR, STRAIN RELIEF 3/4 NPT x .650 - .750	3
6	77081	WASHER, FLAT 1-9/16 x 1-1/16 x .06	2
7	10740	CONDUIT LOCK NUT 3/4 NP	3
8	40037	PLUG, LOCKING 20A/250V (SEE NOTE)	1
9	10362	SCREW, MACHINE 8-32 x 3/4	4
10	12112	WASHER, RIVET #9 5/32 x 7/16 x 3/64	4
11	10461	WASHER, LOCK, INT. TOOTH #8	4
12	10462	NUT 8-32	4
13	86027	MOUNTING BRACKET, LOVATO STARTER	1
14	10846	SCREW, CAP STSHW 1/4-20 x 1/2	2
15	10038	WASHER, LOCK 1/4	2
16	40000	PLUG CONNECTOR, LOCKING 20A/250V (SEE NOTE)	1
17	86312	MOUNT, MOTOR	1
18	10907	SCREW, CAP 3/8-16 x 3/4	4
19	10810	NUT, LOCK 3/8-16	4
20	10021	SCREW, CAP 3/8-24 x 1	4
21	10025	WASHER, FLAT 3/8	4
22	10811	WASHER, LOCK 3/8	4
23	10014	NUT 3/8-24	4
24	86311	ENGINE/MOTOR MOUNT	1
25	10021	SCREW, CAP 3/8-24 x 1	4
26	10811	WASHER, LOCK 3/8	4
27	10025	WASHER, FLAT 3/8	4
28	10014	NUT 3/8-24	4
29	86344	SHEAVE 4.55" OD x 2Gr.B x 7/8 BORE	1
30	50523	KEY 3/16" SQ. x 1-1/8	1
31	79023	SHEAVE 3" OD x 2 Gr.B x 1-1/8" BORE	1
32	10115	KEY 1/4" SQ. x 2	1
33	10035	BELT 5L - 330 (REFER TO SERIAL NO. PLATE)	2
34	10005	PLUG, HOLE 7/8" (CHROME)	1

NOTE: PLUG & CONNECTOR (ITEMS # 8 & 16) ARE NOT SUPPLIED ON 3 PHASE UNITS.



ILLUSTRATION 7: OPTIONAL BALL CASTER DEPTH STOP KIT & WEIGHT



PARTS LISTING - ILLUSTRATION 7: OPTIONAL BALL CASTER DEPTH STOP KIT & WEIGHT

ITEM#	PART#	DESCRIPTION	QTY.
1	86330	BALL CASTER DEPTH STOP KIT (INCLUDES ITEMS # 2-11)	
2	86313	HANDWHEEL, SMALL w/ ROD	1
3	10104	KNOB, BALL 1-7/8 DIA. w/ 1/2-13 THD., BLK.	1
4	81001	SCREW, CAP 1/2-13 x 4	1
5	80007	DECAL, DEPTH STOP, DN/UP (SMALL)	1
6	86316	COLLAR, LOCKING 1/2"	1
7	86314	SUPPORT, DEPTH STOP	1
8	86315	BALL - CASTER WELDMENT	1
9	10818	BOLT, CARRIAGE 5/16-18 x 3/4	2
10	10801	WASHER, LOCK 5/16	2
11	10054	NUT 5/16-18	2
12	86340	WEIGHT, 30 LB.	1



LIMITED EQUIPMENT WARRANTY

Equipment Development Company, Inc. herein referred to as EDCO warrants that each new unit manufactured by EDCO to be free from defects in material and workmanship in normal use and service for a period of (1) one year (except in the case of the cutter drum assembly on all model concrete asphalt planes, in which case the warranty period shall be 90 days) from date of shipment to the original retail or equipment rental center owner.

EDCO will, at its option, repair or replace, at the EDCO factory or at a point designated by EDCO any part, which shall appear to the satisfaction of EDCO inspection to have been defective in material or workmanship.

This warranty, does not apply to failure occurring as a result of abuse, misuse, negligent repairs, corrosion, erosion, normal wear and tear, alterations or modifications made to the product without express written consent of EDCO: or failure to follow the recommended operating practices and maintenance procedures as provided in the products operating and maintenance manuals.

This warranty does not obligate EDCO to bear any transportation charges in connection with the replacement or repair of defective parts. This warranty does not obligate EDCO to bear any expense for travel time or of personnel in connection with any service calls.

Accessories or equipment furnished and installed on the product by EDCO but manufactured by others, including but not limited to engines, motors, electrical equipment, transmissions, etc., shall carry the accessory manufacturers' own warranty.

THIS WARRANTY IS IN LIEU OF ALL OTHER WARRANTIES, EXPRESSED OR IMPLIED, OR STATUTORY, INCLUDING ANY WARRANTIES OF MERCHANTABILITY OR OF FITNESS FOR A PARTICULAR PURPOSE.

LIABILITY LIMITATIONS

The remedies of the user set forth under provisions of warranty outlined above are the exclusive and total liability of EDCO with the respect to their sale or the equipment and service furnished hereunder, in connection with the performance or breach thereof, or from the sale, delivery, installation, repair or technical direction covered by or furnished under the sale, whether based on contract, warranty, negligence, indemnity, strict liability, or otherwise shall not exceed the purchase price of the unit of equipment upon which such liability is based.

EDCO will not in any event be liable to the user, any successors in interest or any beneficiary or assignee relating to this sale for any consequential, incidental, indirect, special or punitive damages arising out of this sale or any breach thereof, or any defects on, or failure of, or malfunction of the equipment under this sale based upon loss of use, lost profits or revenue, interest, lost goodwill, work stoppage, impairment of other goods, loss by reason of shutdown or non-operation, increased expenses of operation of the equipment, cost of purchase or replacement power of claims of users or customers of the user for service interruption whether or not such loss or damage is based on contract, warranty, negligence, indemnity, strict liability, or otherwise.

EDCO reserves the right to modify, alter and improve any part or parts without incurring any obligation to replace any part or parts previously sold without such modified, altered or improved part or parts.

No person is authorized to give any other warranty or to assume any additional obligation on EDCO's behalf unless made in writing and signed by an officer of EDCO.

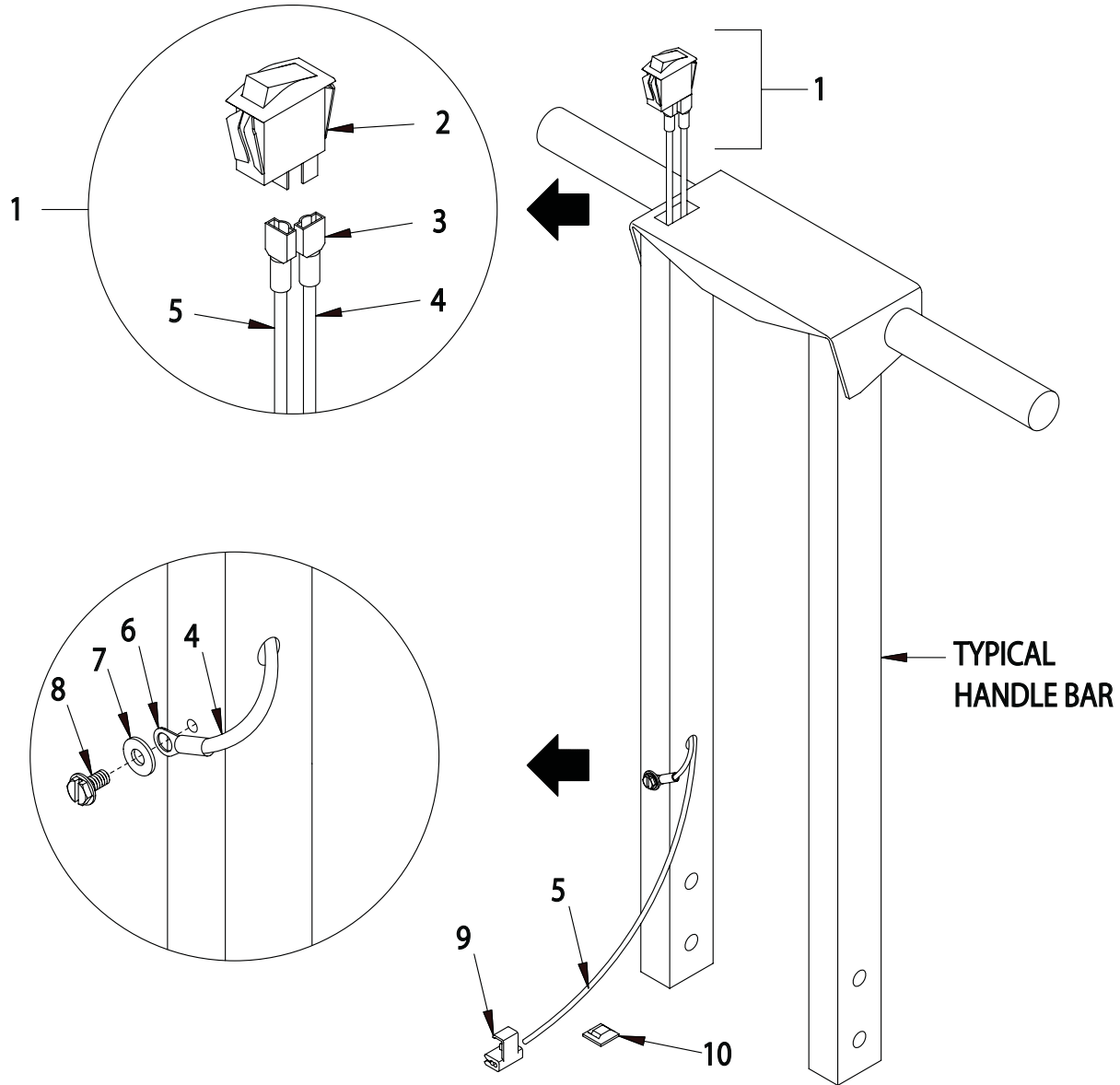
Equipment Development Company, Inc.

USE ONLY GENUINE EDCO PARTS AND ACCESSORIES

For your own safety, the safety of others and the life of your machine



NEW STYLE ENGINE ON/OFF SWITCH ASSEMBLY



ITEM#	PART#	DESCRIPTION	QTY.
1	15201A	SWITCH SUBASSY., ROCKER ON-OFF (INCLUDES ITEMS 2-5)	1
2	15201	SWITCH, ROCKER ON-OFF	1
3	10955	TERM., FEM. PUSH-ON 1/4" 16-14GA. (FULLY INSULATED)	2
4	10994	WIRE, 14 AWG 37" BLACK (CUT TO APPROPRIATE LENGTH)	1
5	10899	WIRE, 14 AWG 73" BLACK (CUT TO APPROPRIATE LENGTH)	1
6	50084	TERM., RING #10 16-14GA. INSULATED (CONNECT TO ITEM 4)	1
7	10831	WASHER, LOCK, INT. TOOTH #10	1
8	10877	SCREW, CAP STSHW 10-24 X 1/2	1
9	10970	CONN., WIRE QUICK-SPLICE 18-14 GA. (SPLICE ITEM 5 WITH ENGINE STOP WIRE)	1
10	36042	CLIP, ADHESIVE BACK CORD 5/8x5/8	AS REQ'D.



100 Thomas Johnson Drive, Frederick, MD 21702-4600 USA
 Phone (301) 663-1600 • 1-800-638-3326
 Fax (301) 663-1607 • 1-800-447-3326
 Website: www.edcoinc.com • Email: sales@edcoinc.com

Printed in USA
 ©2006